

Pedicure Chairs with Plumbed Tubs



Club Chair V2



Mystia



5th Avenue

© Copyright 2019
Living Earth Crafts®

All rights reserved. This document or any portion thereof may not be reproduced in any way, including photocopying or translation to another language without the prior written permission from Living Earth Crafts.

Living Earth Crafts® is a registered trademark of Earthlite, LLC.

Legal Notice

The information provided in this document is intended for informational purposes only and is subject to change without notice. The information provided in this document should not be construed as a commitment by Living Earth Crafts®.

Living Earth Crafts® assumes no responsibility for the accuracy or suitability of the information contained in this document. This document may contain technical inaccuracies or errors. Living Earth Crafts® makes no expressed or implied warranties of any kind concerning the information contained in this document, including, but not limited to, the implied warranties of merchantability and fitness for purpose.

Living Earth Crafts® shall not be liable for incidental or consequential damages in connection with or arising out of the product, performance, or use of this document and the information and material it describes.

Introduction

Congratulations on your purchase of the Club Chair V2, Mystia, or 5th Avenue pedicure chair. This manual is designed to be given to the licensed plumbers, electricians, and any other technicians performing the installation of your pedicure chairs.

Installer(s): Please review this manual in detail before beginning installation, and follow all safety warnings, labels, and instructions. If you have questions, please contact Living Earth Crafts at (800) 872-0560 for US customers, or (760) 597-2155 for international customers. We can also be reached via e-mail at info@livingearthcrafts.com

Table of Contents

Section 1: Safety Information

Safety Symbols & Warnings	2
---------------------------------	---

Section 2: Product Overview

Electrical Specifications	3
Product Specifications	4
Plumbed Tub Overview.....	5

Section 3: Installation

Chair Specific Diagrams.....	6-8
Swingaway Manicure Trays	9
Tub Dimensions	10
Tub Installation Guidelines	11
Electrical/Plumbing.....	12-13
Drain Specification.....	14
Internal Tub Reference Photos.....	15
Backflow Prevention	16
Frequently Asked Questions	17
Contact Us	back cover

SECTION 1: SAFETY INFORMATION

Safety Symbols

Familiarize yourself with the following Safety & Warning symbols. They are designed to prevent damage and injury to you, your clients, and your new Earthlite product.

IMPORTANT: The important safety instructions and warnings in this manual cannot cover all possible problems and conditions that can occur. Use common sense and caution when installing, operating, or maintaining this appliance.



Indicates an imminently hazardous situation which could result in serious or fatal injury.



Indicates a potentially hazardous situation which could result in serious injury.



Indicates a potentially hazardous situation which could result in equipment damage and/or injury.

IMPORTANT SAFETY INSTRUCTIONS - FOR COMMERCIAL USE ONLY
Read all instructions before using this product.

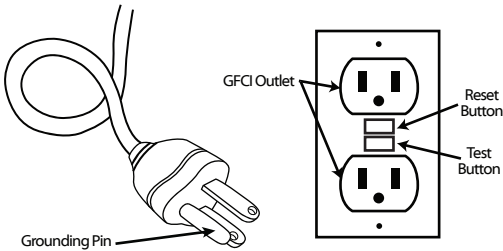


INSTALLATION INSTRUCTIONS / GROUNDING INSTRUCTIONS

- 1. RISK OF ELECTRIC SHOCK. Connect only to a circuit protected by a ground-fault circuit-interrupter.**
- 2. Grounding is required. The unit should be installed by a qualified service representative and grounded.**

This product must be grounded. If it should malfunction or break down, grounding provides a path of least resistance for electric current to reduce the risk of electric shock. This product is equipped with a cord having an equipment-grounding conductor and grounding plug. The plug must be plugged into an appropriate outlet that is properly installed and grounded in accordance with all local codes and ordinances.

Improper connection of the equipment-grounding connector can result in a risk of electric shock. Check with a qualified electrician or serviceman if you are in doubt as to whether the product is properly grounded. Do not modify the plug provided with the product - if it will not fit the outlet, have a proper outlet installed by a qualified electrician.



See User Manual for all safety information and warnings pertaining to use of this product.

INSTALLER/OWNER BEARS ALL RESPONSIBILITIES TO COMPLY WITH STATE AND LOCAL CODES WHEN INSTALLING THIS PRODUCT. FAILURE TO COMPLY WITH THESE INSTRUCTIONS MAY VOID WARRANTY.

SECTION 2: PRODUCT OVERVIEW

Electrical Specifications

Spec	North America	Europe/Asia
Input Voltage	120 VAC	220 VAC
Input Frequency	60 Hz	50 Hz
Total Consumption - All Options	9.5 Amps Max	5.2 Amps Max
Consumption - Chair & Hydrotherapy Tub Only	4 Amps Max	2.2 Amps Max
Consumption - Relaxor	Additional 4 Amps (Max)	Additional 2.2 Amps (Max)
Consumption - Discharge Pump	Additional 1.5 Amps (Max)	Additional 0.8 Amps (Max)

Discharge Pump Specification

Motor Design	Single-phase synchronous motor
Flow Rate	120V: 24 l/min at 0, 1 bar; 220V: 20 l/min at 0, 1 bar
Duty Cycle	Continuous




Sanijet® Jet System Specification

Motor Design	Single speed, electronic spherical DC motor w/magnetic rotor impeller
Motor Materials	Thermoplastic jet, motor, case assembly; stainless steel rotor impeller
Safety Features	Safety shutoff sensor, dry-run/thermal overload protection

Supply & Drain Specification

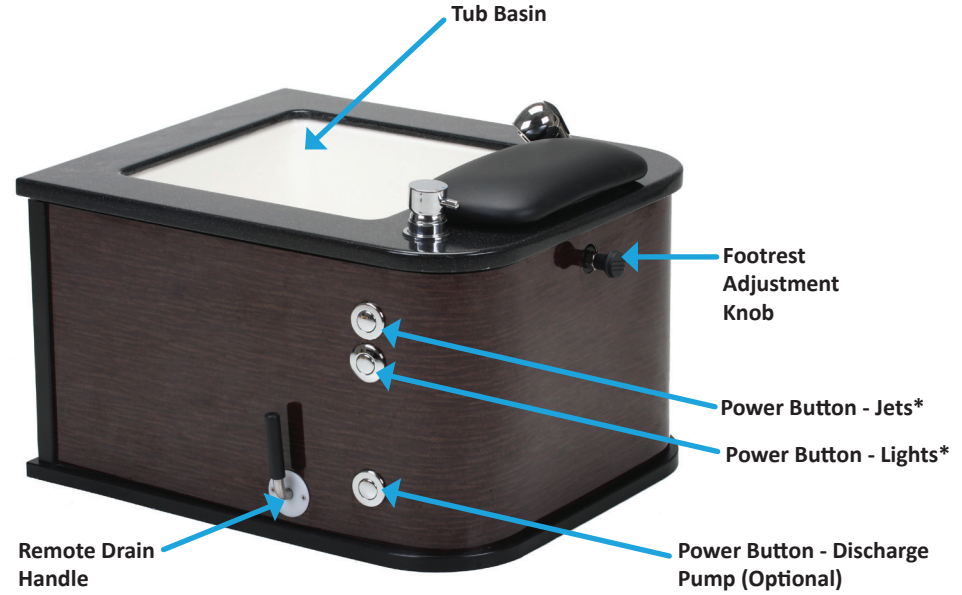
Supply Connections	1/2" NPT (Recommended) / 1.27 cm
Drain Outlet	1.5" / 3.81 cm

SECTION 2: PRODUCT OVERVIEW

	Club Chair V2	Mystia	5th Avenue
Product Image*			
Chair Overall Dimensions	49"H x 32"W x 38.5"D	45.5"H x 30.25"W x 35"D	48"H x 32"W x 36.75"D
Tub Overall Dimensions	15.5"H x 22"W x 26.5"D	15.5"H x 22"W x 26.5"D	15.5"H x 22"W x 26.5"D
Tub Basin Dimensions	9"D x 14.75"W x 15"L	9"D x 14.75"W x 15"L	9"D x 14.75"W x 15"L
Seat Height (from floor)	24" H	24" H	24" H
Location of Tilt Lever (Optional)	Inside panel on the right-hand side	Outside panel on the right-hand side	Outside panel on the right-hand side
Tilt Angle (Optional)	20 degree tilt range	20 degree tilt range	20 degree tilt range
Cushioning	Strata™ Memory Foam Cushioning System	Strata™ Memory Foam Cushioning System	Strata™ Memory Foam Cushioning System
Upholstery	Natursoft®	Natursoft®	Ultraleather® or Promessa®
Other Options	Relaxor® Heat/Massage Discharge Pump Swingaway Nail Trays	Relaxor® Heat/Massage Discharge Pump Swingaway Nail Trays	Relaxor® Heat/Massage Discharge Pump Swingaway Nail Trays

SECTION 2: PRODUCT OVERVIEW

Plumbed Tub Overview



*Features are on hydrotherapy tub only

SECTION 3: INSTALLATION

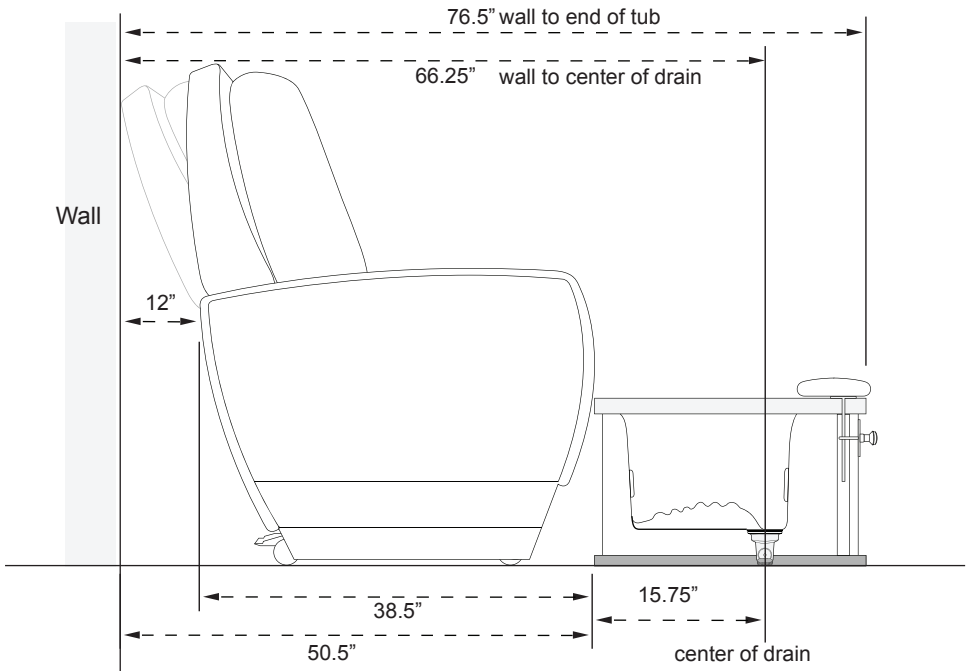
Club Chair V2

THE FOLLOWING TECHNICAL DIAGRAMS SHOULD BE GIVEN TO YOUR ENGINEERS, ARCHITECTS, DESIGNERS, ELECTRICIANS & PLUMBERS.

Failure to comply with federal, state, or local codes and ordinances could result in the voiding of product warranty as well as potential injury and flooding. A licensed plumber should make all utility connections. All plumbing connections must conform to local codes. Water temperature/pressure should not exceed local regulations.

The following footprint establishes the **MINIMUM** recommendations.

- Note: The floor has to be capable of supporting the expected load - minimum 200 lbs.
- Note: If your chair has back tilt, a minimum of 12" should be between the wall and the back of the chair when upright which will allow the chair to tilt back to its farthest point.
- Note: The soaking tub will not have the hydrotherapy jets installed. Plumbing and electrical connections are the same.



SECTION 3: INSTALLATION

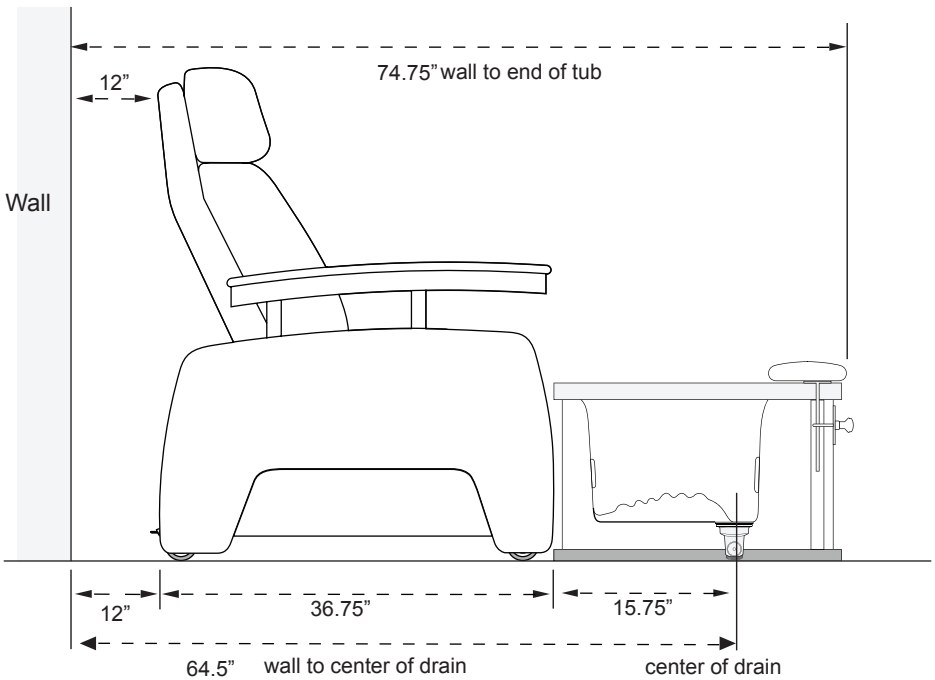
5th Avenue

THE FOLLOWING TECHNICAL DIAGRAMS SHOULD BE GIVEN TO YOUR ENGINEERS, ARCHITECTS, DESIGNERS, ELECTRICIANS, & PLUMBERS.

Failure to comply with federal, state, or local codes and ordinances could result in the voiding of product warranty as well as potential injury and flooding. A licensed plumber should make all utility connections. All plumbing connections must conform to local codes. Water temperature/pressure should not exceed local regulations.

The following foot print establishes the **MINIMUM** recommendations.

- Note: The floor has to be capable of supporting the expected load - minimum 200 lbs.
- Note: If your chair has back tilt, a minimum of 12" should be between the wall and the back of the chair when upright which will allow the chair to tilt back to its farthest point.
- Note: The soaking tub will not have the hydrotherapy jets installed. Plumbing and electrical connections are the same.



SECTION 3: INSTALLATION

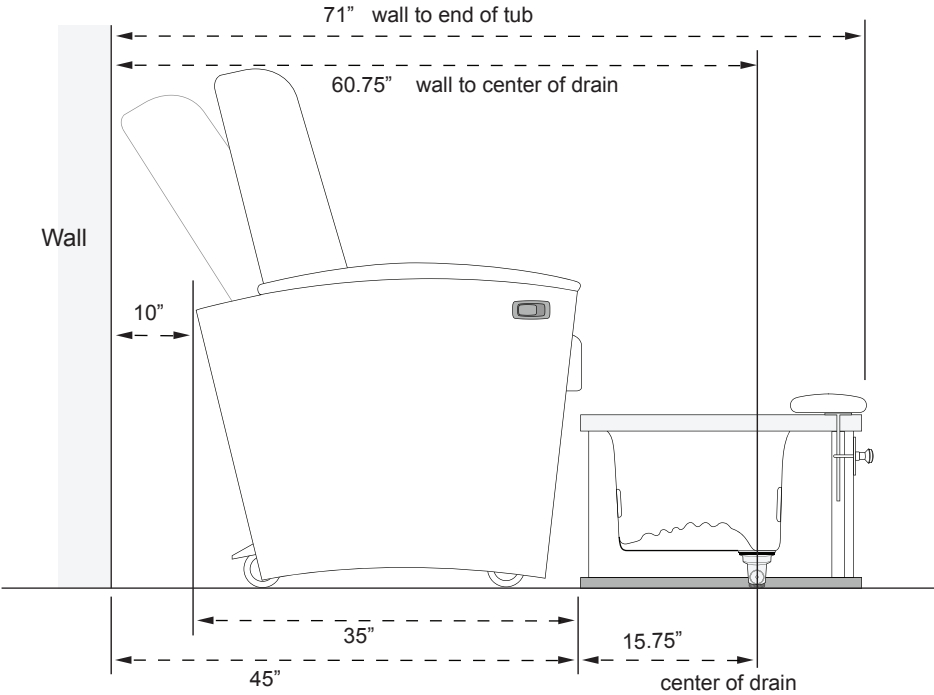
Mystia

THE FOLLOWING TECHNICAL DIAGRAMS SHOULD BE GIVEN TO YOUR ENGINEERS, ARCHITECTS, DESIGNERS, ELECTRICIANS & PLUMBERS.

Failure to comply with federal, state, or local codes and ordinances could result in the voiding of product warranty as well as potential injury and flooding. A licensed plumber should make all utility connections. All plumbing connections must conform to local codes. Water temperature/pressure should not exceed local regulations.

The following footprint establishes the **MINIMUM** recommendations.

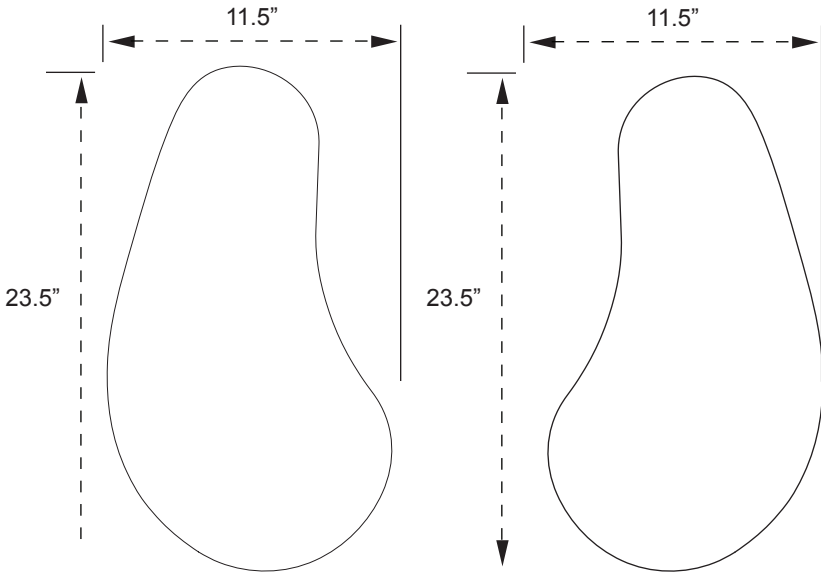
- Note: The floor has to be capable of supporting the expected load - minimum 200 lbs.
- Note: If your chair has back tilt, a minimum of 10" should be between the wall and the back of the chair when upright which will allow the chair to tilt back to its farthest point.
- Note: The soaking tub will not have the hydrotherapy jets installed. Plumbing and electrical connections are the same.



SECTION 3: INSTALLATION

Swingaway Manicure Trays (Optional)

The Swingaway Manicure Trays may need to be taken into account when determining spacing between chairs. See below dimensions and positioning examples for reference.



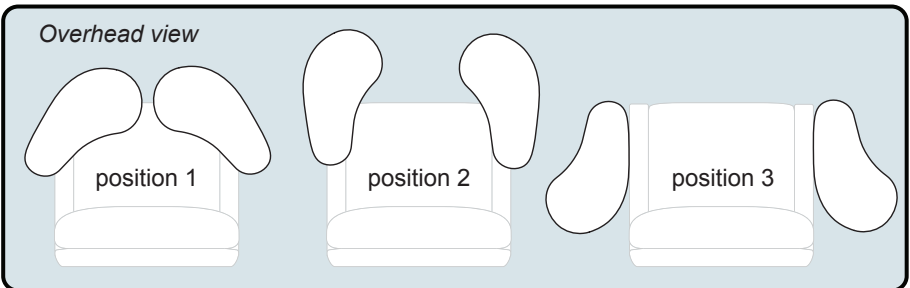
Tray Positioning

The manicure trays can easily be swiveled to any position that is desired. Below are the most commonly used tray positions and their functions.

Position 1: Places trays closer to the client and allows the magnetic center tray to be attached.

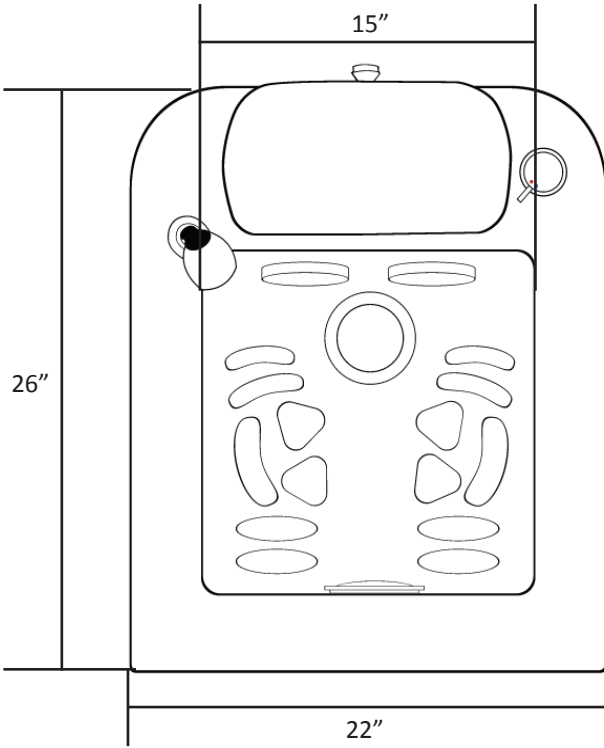
Position 2: Places trays closer to the technician and provides more room for the client.

Position 3: Allows the trays to function as extended armrests or table.

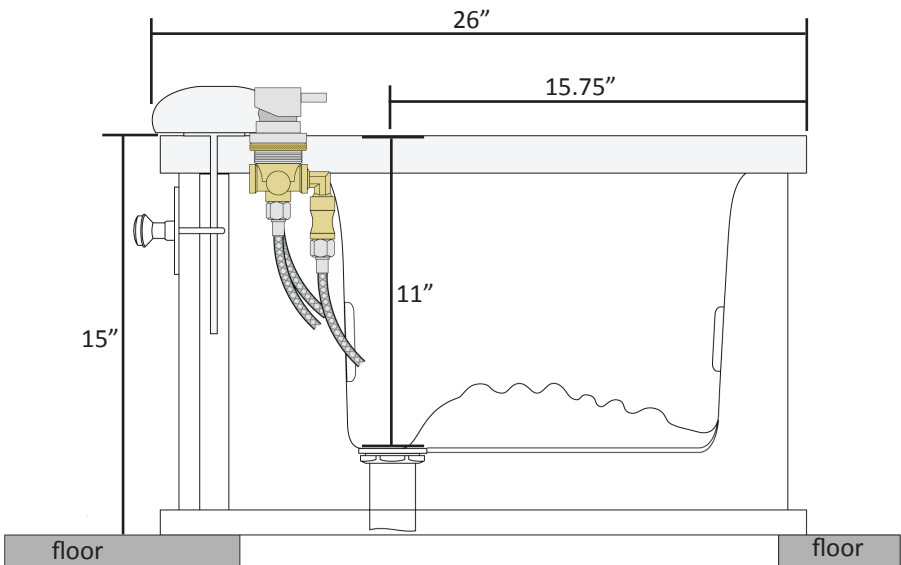


SECTION 3: INSTALLATION

Tub Dimensions - Top View



Tub Dimensions - Side View



SECTION 3: INSTALLATION

Tube Installation & Anchoring Guidelines

1. Remove 4 screws on back access panel, and 2 screws from the drain handle plate. (Screws are indicated by the blue circles in Fig. 1 and Fig. 2 below.)



Fig. 1



Fig. 2

2. Remove back access panel and set aside
3. Gently place tub on its side and locate the nut securing the drain handle.
4. Using a crescent wrench, loosen the nut and remove the drain handle. (Fig. 3)



Fig. 3

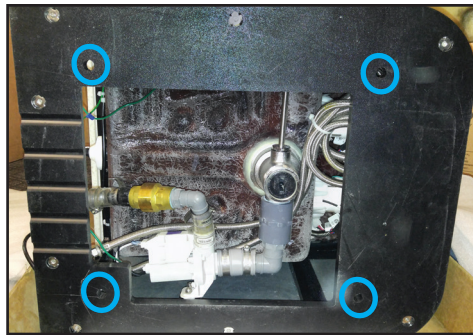


Fig. 4

5. Loosen the Velcro securing the shroud, and remove the shroud completely from the tub.
6. Place the tub exactly where it needs to be anchored to the floor (see installation diagrams on pages 16-18 for measurements).
7. Locate the 4 pre-drilled anchor holes in the HDPE tub base (Fig 4). Using a marker, mark these 4 points on the floor.
8. Move tub and drill anchor holes (recommended size: 1/2") and install anchors.
9. Replace tub, lining up pre-drilled anchor holes over the anchors.
10. Tighten a nut on each anchor to secure tub to the floor.

NOTE: We recommend having a licensed plumber make all the plumbing connections at this point, before re-installing the shroud and drain handle.

11. Replace shroud and re-install drain handle.
12. Replace the back access panel (4 screws), and drain handle plate (2 screws).

SECTION 3: INSTALLATION

Electrical Service

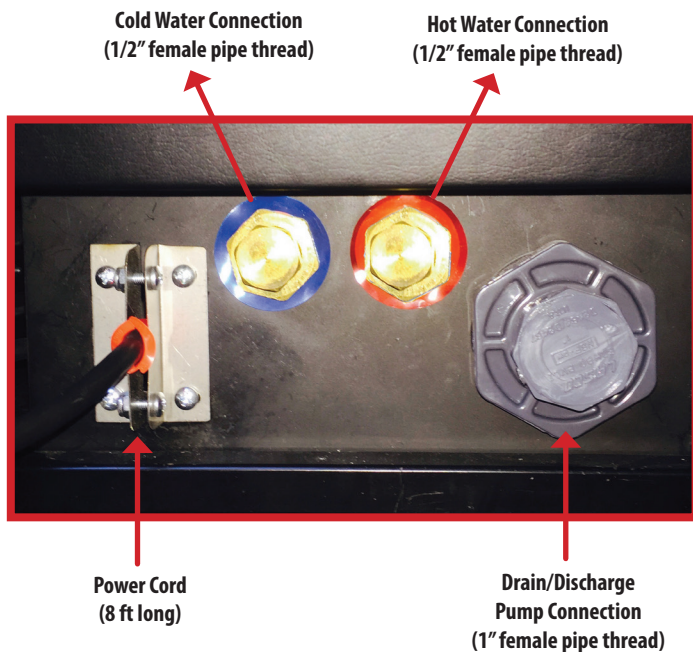
- 110V/60 Hz or 220V/50 Hz GFCI protected grounded circuit must be used to supply power to the pedicure tub.
- Cutting off the end of the electrical plug to hardwire the spa is NOT recommended, and can void the warranty. (See page 3 for grounding instructions/safety warnings.)
- All wiring connections have been done with unit assembly.

Plumbing/Water Supply

- All plumbing connections, including the drain, must conform to all state and local codes.
- Maximum suggested operating temperature should not exceed 105°F (41°C), and the maximum suggested supply water temperature should not exceed 120°F (49°C). State and local codes may have different regulations - please follow codes if different from suggested temperatures.
- Carefully connect the water supply fittings. Shut-off valves are recommended.
- Water pressure must be 30-80 psi (206-551 kpa).

Option 1 - Plumbed to the Wall

Use this option if your hot and cold water supply and drain line will be coming from the wall, behind the pedicure chair. For this option, all the internal plumbing connections have already been made for you. After the tub has been anchored (see instructions on page 21), all the plumber will need to do is connect the hot water supply line, cold water supply line, and the drain line to the rear manifold.



SECTION 3: INSTALLATION

Option 2 - Plumbed to the Floor

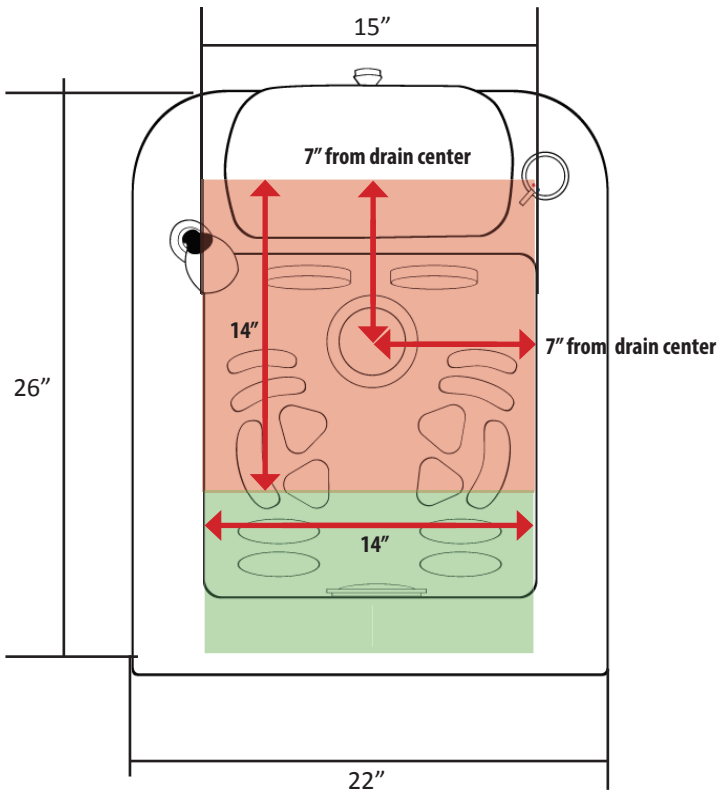
- Use this option if your hot and cold water supply and drain line will be located in the floor underneath the tub. For this option, a licensed plumber will need to disconnect the internal connections from the manifold and re-route the lines as needed.
- Release power cord from the strain relief (if needed) to be plug into a floor outlet.
- Before installation, carefully review the diagrams and specifications on pages 18-24 to ensure all spacing and placement is correct.
- **All CAD symbols are for representation only. Correct connections are responsibility of the purchaser, owner and/or its agents, installers, and should only be completed by licensed professionals. Living Earth Crafts is not responsible for any incorrectly interpreted, owner-installed water or electrical connections.**

Tub - Top View

If using a floor drain, locate within the **red shaded area** shown in the diagram below.

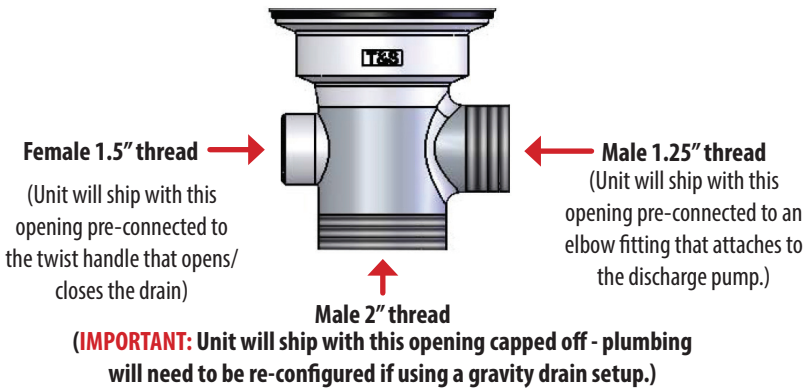
NOTE: Floor drain should be no larger than 8" x 8" (larger drains could protrude from the bottom of the tub footprint).

Supply line should be taken into account prior to placement. The supply line area is shown with the **green shaded area** in the diagram on the left. Supply lines need to be short enough to clear the tub.

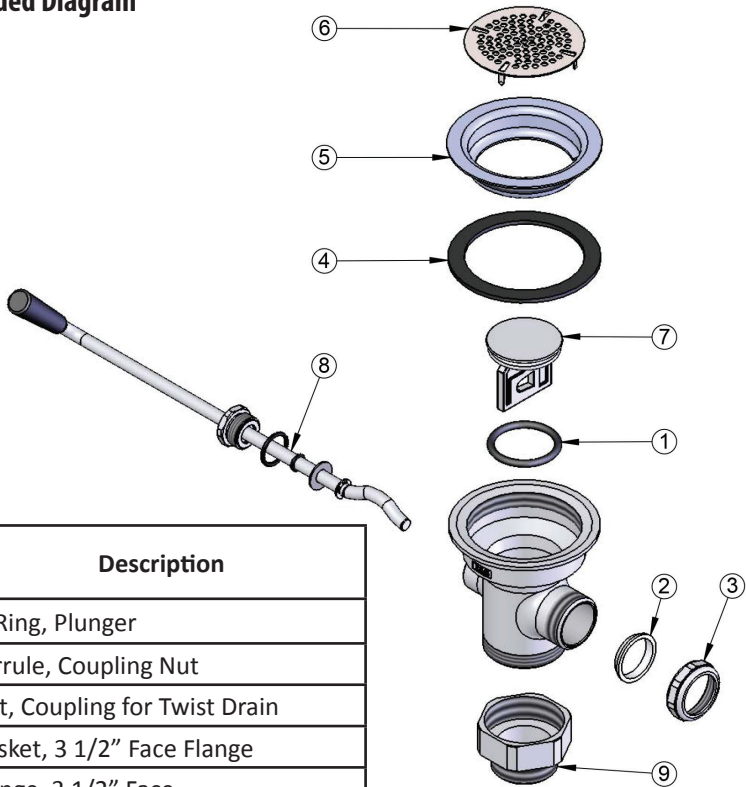


SECTION 3: INSTALLATION

Drain Specification



Drain Exploded Diagram



Item Number	Description
1	O-Ring, Plunger
2	Ferrule, Coupling Nut
3	Nut, Coupling for Twist Drain
4	Gasket, 3 1/2" Face Flange
5	Flange, 3 1/2" Face
6	Strainer, 3 1/2" Snap-in Removable
7	Plunger, Lever and Twist Drain
8	Rotary Waste Valve Twist Handle
9	Adapter, 2" NPT x 1 1/2" NPT

SECTION 3: INSTALLATION

Internal Tub Reference Photos



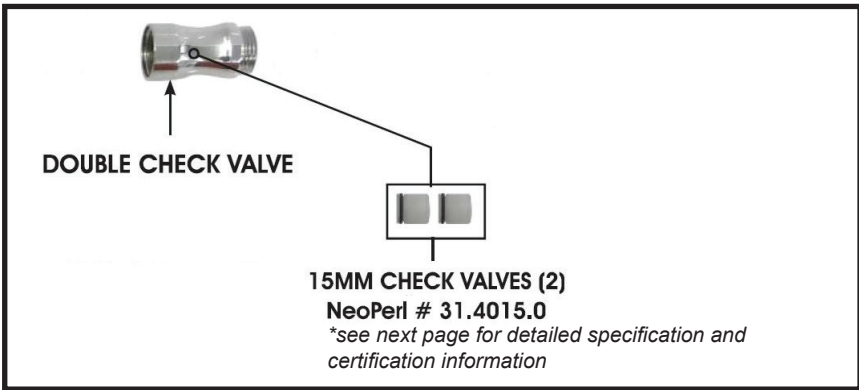
SECTION 3: INSTALLATION

Backflow Prevention

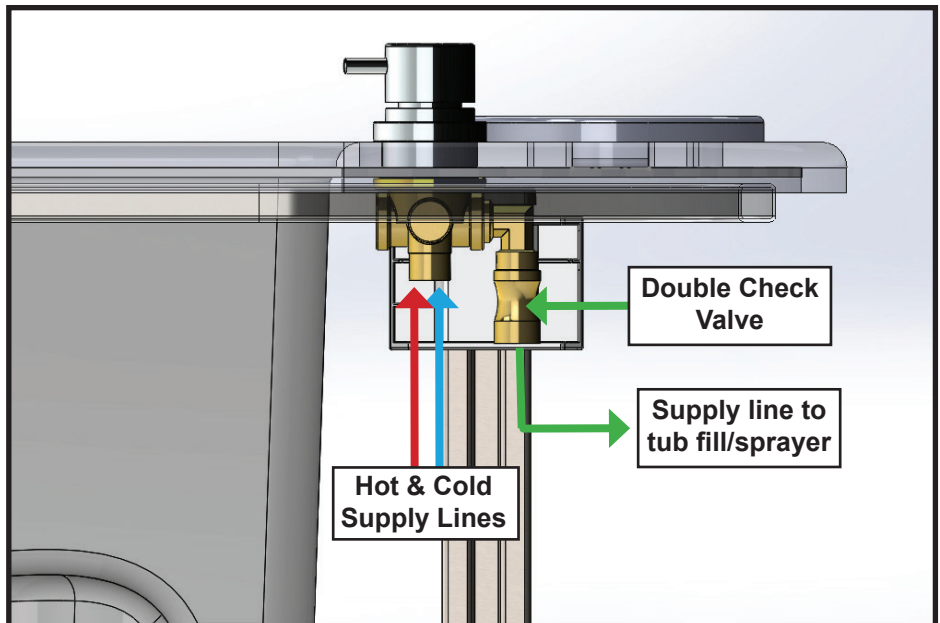
Each pedicure tub comes with a dual backflow preventative device pre-installed. This device utilizes two (2) 15mm check valves that are certified to ANSI/NSF 61 and ASME A112.18.3 (see detailed specification from manufacturer on the next page)The ASME A112.18.3 standard, in Section 8.1.1, indicates that “there shall be at least two backflow prevention devices, in series”. The double check valve shown below, installed on the tub supply valve, fulfills this requirement. The 2 check valves are installed in series and operate independently, per the standard.The placement prevents backflow into both the hot and cold supply lines.

DOUBLE CHECK VALVE INFORMATION

American Faucet & Coatings Corporation (PART #19.10.007)



DOUBLE CHECK VALVE PLACEMENT



SECTION 3: INSTALLATION

Frequently Asked Questions

Does the tub have backflow prevention?

Yes - see pages 10-11 for backflow prevention details.

Do I still have to install backflow prevention on my main water supply line?

This is entirely dependent on your local and/or state codes. A licensed plumber with knowledge of your local and/or state codes can answer this question for you.

Do we need to install a p-trap?

Check with the licensed plumber performing the install. It is dependent on your drain location.

Can you provide a letter to my city inspector stating my electrical and/or plumbing setup is acceptable?

Unfortunately not. In this document, we have provided all the information that a licensed plumber and electrician would need to perform the proper install that adheres to local and state codes. Living Earth Crafts does not have knowledge of all local and state codes and therefore is not qualified to advise on individual setup questions. If an inspector has questions about how your plumbing and/or electrical is being set up, you will need to contact your plumber and/or electrician.

Does the Contour have GFI/GFCI built in?

There are no GFI/GFCIs built in to the system - we require a GFCI protected grounded circuit to supply power to the Contour.



Contact Us

Living Earth Crafts
990 Joshua Way
Vista, CA. 92081
(800) 358-8292
(760) 597-2155 Int'l
(866) 449-8872 fax
info@livingearthcrafts.com

Hours of operation:

Monday - Friday
8:00 a.m. to 5 p.m. PST

Saturday - Sunday
Closed

Visit us online at: livingearthcrafts.com



Join us on
Facebook



Follow us on
Twitter



Connect with us
on Linked In

